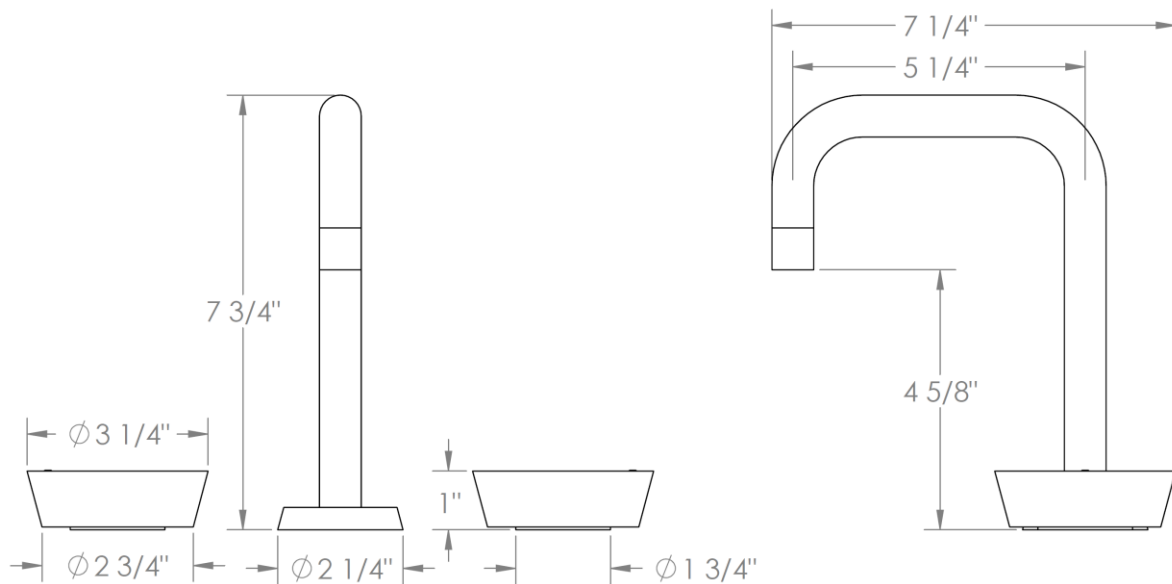


36-2.18-CM

Deck Mounted 3 Hole Square Extended Lavatory Set

Includes MPU5 soft touch drain with overflow

Flow Rate: 1.2 GPM



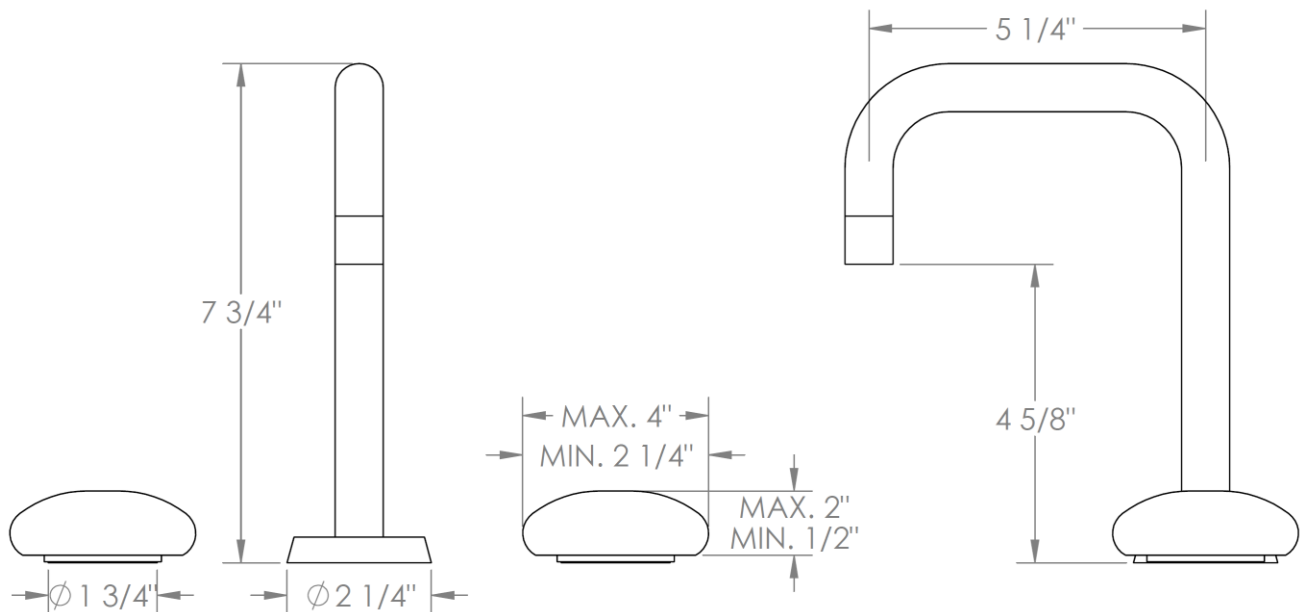
Meets the applicable requirements of ASME A112.18.1-2005/CSA B125.1-05, entitled "Plumbing Supply Fittings"

36-2.18-WM

Deck Mounted 3 Hole Square Extended Lavatory Set

Includes MPU5 soft touch drain with overflow

Flow Rate: 1.2 GPM



Meets the applicable requirements of ASME A112.18.1-2005/CSA B125.1-05, entitled "Plumbing Supply Fittings"